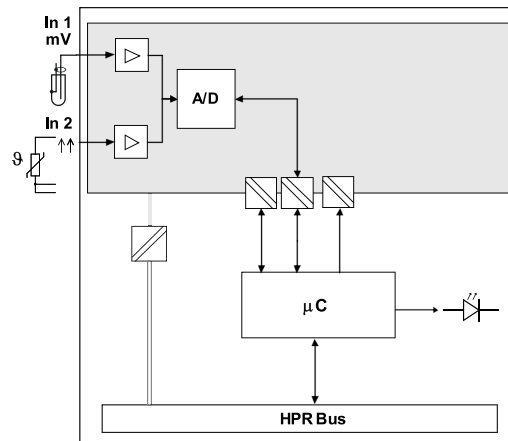


HE 5842

HIMOD analogue input module pH-value / temperature

1 x pH-sensor, 1 x resistance thermometer



The analogue input module (pH-value / temperature) HE 5842 acquires up to two analogue measured values from thermocouples (lambda probes) as well as up to two measured values from high-resistance voltage sources. In the event of service, the module can be exchanged quickly and without complications in running operation (Hot Swap). The temperature compensation takes place directly in the module. In addition a cold junction compensation with a constant value or with measured cold junction can be

connected. The signal status of the inputs is indicated via status-LEDs. The areas of power supply voltage, field bus, logics and inputs are isolated galvanically from each other. In the event of error the modules operate with previously predefined error values, in order to ensure safe process control (Fail Safe).

Current versions of the associated software SmartControl as well as other information can be found at www.hesch.de

TECHNICAL DATA	
Power supply	Over internal T-bus: 24 V DC / 7.5 V DC
Current consumption	Max. 55 mA at 24 V / max. 50 mA at 7.5 V
Electrical isolation	2300 V _{eff} [(supply, logics) / channels]
Temperature input:	
Sensor, value range	Resistance thermometer Pt100/Pt1000, -50...200 °C
Measuring current	500 µA (Pt100), 50 µA (Pt1000)
Accuracy	≤ 0.5 K
Temperature influence	≤ 0.08 % / 10 K
pH-value input:	
Sensor, value range	Combined measuring and reference electrode, voltage input ± 900 mV = 0...14 pH
Input impedance	R _i ≥ 10 ¹² Ω
Accuracy	≤ 0.02 pH
Temperature influence	≤ 0.05 % / 10 K
Converter resolution / conversion time	16 bit / 160 ms
Error detection	Sensor breakage short-circuit detection
Diagnostic display:	
2 x yellow LEDs	Status of the inputs
2 x red LEDs	Sensor fault
1 x 2-colour LED	Module status
Wiring technique:	Screw / plug terminals, conductor cross-section 0.2...2.5 mm ² Spring clamp / plug terminals, conductor cross-section 0.2...2.5 mm ²
Weight	150 g

ORDERING DATA	ORDER NUMBER	PU
HE 5842, Pt1000, CE, screw terminal	58420000	1
HE 5842, Pt1000/Pt100, CE, screw terminal	58421000	1
HE 5842, Pt1000, CE, spring clamp terminal	58423000	1
HE 5842, Pt1000/Pt100, CE, spring clamp terminal	58424000	1

ACCESSORIES	ORDER NUMBER	PU
Screw plug terminal	133332	10
Spring clamp terminal	133331	10
T-bus connector	38100150	10

APPROVAL	
Conformity marking	CE

Technical alterations reserved