

HESCH

AUTOMATION PARTNER



SOLENOID VALVE CONTROLLER HE 5731

Flexible and simple to operate



Solenoid Valve Controller HE 5731

The Solenoid Valve Controller HE 5731 has been developed for small and medium sized dust filter systems and is equipped with all the necessary functional features. It can be parameterized intuitively without any programming knowledge and can be complemented at any time with expansion units. The HE 5731 can control up to 16 solenoid valves, dependent on differential pressure or time, and if necessary can access up to 64 valves over expansion units. The device is consequently "designed-to-cost".

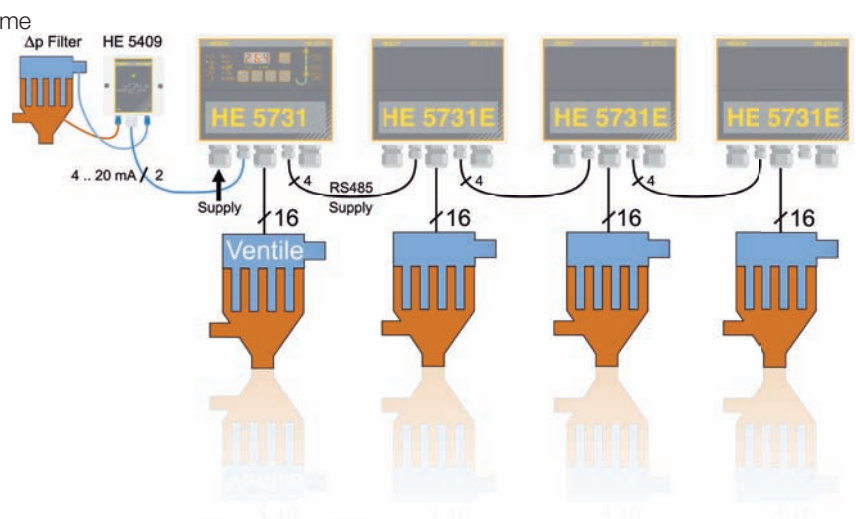
Control Unit...

- Parameter setting without menu and programming
- Operation via membrane keys
- Intuitive operation through unambiguous symbols and differential pressure level indicator
- Three-digit digital display
- Screwless wiring technique
- Operation and display unit for remote control can be supplied



System...

- Dust extraction controller for up to 16, with expansions up to 64 solenoid valves
- For valves with 24 V DC and 1 A
- Dedusting dependent on differential pressure or time
- Sequential activation of the valves
- Modular expandable
- Differential pressure measurement input over 4 to 20 mA, as a result can be mounted spatially separated from the filter





Accessories for Solenoid Valve Controller

Expansion

- Connection over RS-485 with 2-wire lead
- Up to three expansions per control unit
- Up to four expansions with remote control
- Up to 16 valves can be controlled sequentially per expansion

Differential Pressure Sensor

- Measuring ranges 0 to 25 / 50 / 100 mbar
- 4 to 20 mA, 2-wire transmitter
- Supply from HE 5731

Valve Cable

- Assembled ready to connect with connector DIN 43650
- Available from stock in various lengths

Connection Set

- Connection of the Δp sensor to the filter system
- Complete with drilling template, self-tapping screws, Adapter and hose

Service

- Plug-ready device assemblies
- Preliminary parameter settings
- Manuals in national languages



HESCH

AUTOMATION PARTNER



HESCH

Industrie-Elektronik GmbH

Boschstraße 8

D-31535 Neustadt

Phone +49 (0) 5032 9535-0

Fax +49 (0) 5032 9535-99

E-mail info@hesch.de

Internet www.hesch.de